

Structure Silicon Monolithic Integrated Circuit
 Product name Power management IC for cellular phone

Type **BH6053GU**

Features Switching regulator
 Including 5 channel regulator

○ Absolute maximum ratings (Ta=25°C)

Parameter	Symbol	Limit	Symbol	Condition
Maximum applied voltage	VCC	7.0	V	
Power dissipation	Pd	1350 (*1)	mW	At single unit
Operating temperature range	Topr	-30 ~+75	°C	
Storage temperature range	Tstr	-55 ~ +125	°C	

(*1) 50mm×58mm×1.75mm At glass epoxy board mounting.

When it's used by more than Ta=25 °C, it's reduced by 13.5mW/°C.

○ Recommended operating range(Ta=-30 °C~+75 °C)

Parameter	Symbol	Limit			Unit	Condition
		Min.	Typ.	Max.		
Power supply voltage	VCC	3.0	3.6	4.5	V	REG1I~5I, B ATP voltage

This chip is not designed to protect itself against radioactive rays.

Status of this document

The Japanese version of this document is the formal specification. A customer may use this translation version only for a reference to help reading the formal version. If there are any differences in translation version of this document, formal version takes priority.

Application example

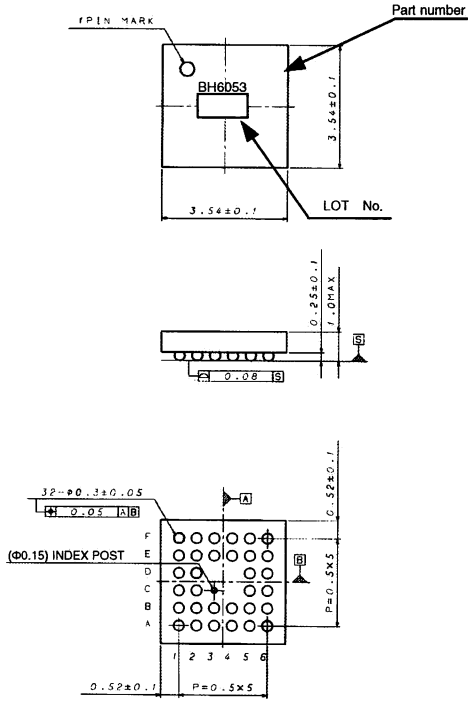
The product described in this specification is designed to be used with ordinary electronic equipment or devices (such as audio-visual equipment, office-automation equipment, communications devices, electrical appliances, and electronic toys). Should you intend to use this product with equipment or devices which require an extremely high level of reliability and the malfunction of which would directly endanger human life (such as medical instruments, transportation equipment, aerospace machinery, nuclear-reactor controllers, fuel controllers and other safety devices), please be sure to consult with our sales representative in advance.

○Electrical characteristic

Unless otherwise specified Ta=25 °C, VCC=REG1=REG23I=REG4I=BATP=REG5I=3.6V

Parameter	Symbol	Spec			Unit	Condition	
		Min.	Typ.	Max.			
Circuit current (No load)							
Circuit current 1	ICC1	-	9.1	14.0	μA	CNT1,2,3,4,5 SWEN=0V (Operated only reference voltage source)	
Circuit current 2	ICC2	-	4.2	5.7	mA	CNT1,2,3,4,5=0V, SWEN,MODE=2.8V	
Circuit current 3	ICC3	-	25	42.4	μA	CNT1,2,3,4,5=0V,SWEN=2.8V, MODE=0V	
SWREG1							
1.5V Output voltage range	SW mode	Vosw1	1.450	1.500	1.550	V	Io=400mA,MODE=3.6V,SWVSEL=0V
	LDO mode	Voldo1	1.450	1.500	1.550	V	Io=50mA,MODE=0V,SWVSEL=0V
1.2V Output voltage range	SW mode	Vosw2	1.150	1.200	1.250	V	Io=400mA,MODE=3.6V, SWVSEL=3.6V
	LDO mode	Voldo2	1.150	1.200	1.250	V	Io=50mA,MODE=0V,SWVSEL=3.6V
Oscillator frequency	Fosc	0.78	1.05	1.35	MHz	SW mode	
REG1							
2.6V Output voltage	Vo1	2.544	2.600	2.656	V	Io=150mA,REG1VSEL=0V	
2.85V Output voltage	Vo2	2.794	2.850	2.906	V	Io=150mA,REG1VSEL=3.6V	
Output current	Io	200	-	-	mA		
REG2							
Output voltage	Vo	1.755	1.800	1.845	V	Io=120mA	
Output current	Io	150	-	-	mA		
REG3							
Output voltage	Vo	3.240	3.300	3.360	V	Io=150mA	
Output current	Io	150	-	-	mA		
REG4							
Output voltage	Vo	1.755	1.800	1.845	V	Io=50mA	
Output current	Io	50	-	-	mA		
REG5							
Output voltage	Vo1	1.460	1.500	1.540	V	Io=30mA,SWVSEL=0V	
Output voltage	Vo2	1.160	1.200	1.240	V	Io=30mA,SWVSEL=3.6V	
Output current	Io	50	-	-	mA		
CPU I/F 1 (CNT1,2,3,4,5,SWEN,MODE)							
Input current H level	IiH1	-10	1.95	10	μA	VIH=3.6V	
Input current L level	IiL1	-10	0	10	μA	VIL=0V	
CPU I/F 2 (SWVSEL,REG1VSEL)							
Input current H level	IiH2	-10	0	10	μA	VIH=3.6V	
Input current L level	IiL2	-10	0	10	μA	VIL=0V	
CPU I/F 3 (CNT1,2,3,4,5,SWEN,MODE)							
Input voltage H level	VIH	1.4	-	-	V		
Input voltage L level	VIL	-	0	0.25	V		
CPU I/F 4 (SWVSEL,REG1VSEL)							
Input voltage H level	VIH	VCC×0.8	-	VCC	V		
Input voltage L level	VIL	-	-	VCC×0.2	V		
UVLO (Under Voltage Lock Out)							
Detect voltage 1	VDETHL	2.4	2.5	2.6	V	VCC=3.6→0V SWEEP	
Hysteresis	VHYS	25	50	100	mV		

○ Dimensions diagram, Marking diagram

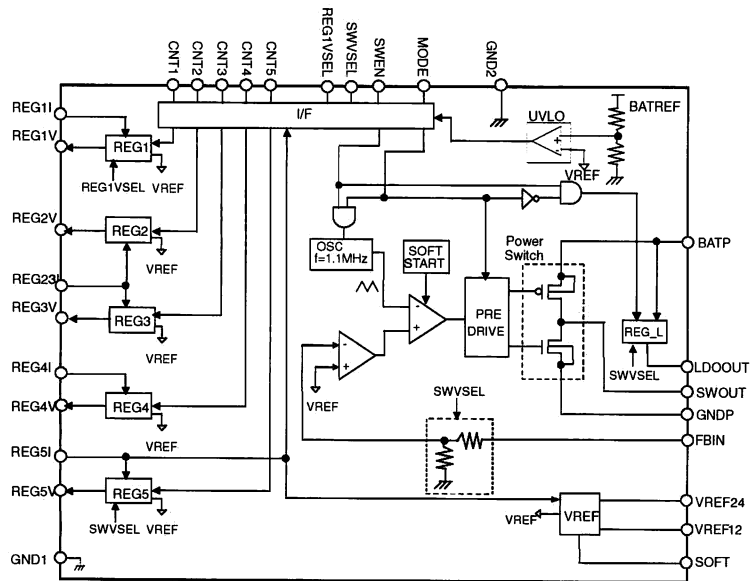


VCSP85H3(32 pin) (unit:mm)

○ Pin assignment table

PIN	Pin name.	PIN	Pin name
B5	REG1I	A2	FBIN
A4	REG1V	B3	SOFT
A5	REG2V	A3	MODE
B6	REG23I	B4	SWEN
C6	REG3V	E4	CNT1
E2	REG4I	F3	CNT2
E1	REG4V	E3	CNT3
D6	REG5V	F2	CNT4
F4	VREF24	E6	CNT5
F5	VREF12	C5	REG5I
D5	GND1	D2	SWVSEL
D1	GND2	E5	REG1VSEL
B2	GNDP	A1	T1
B1	SWOUT	A6	T2
C2	BATP	F6	T3
C1	LDOOUT	F1	T4

○ Block diagram



○ Cautions on use

(1) Absolute Maximum Ratings

An excess in the absolute maximum ratings, such as supply voltage, temperature range of operating conditions, etc., can break down devices, thus making impossible to identify breaking mode such as a short circuit or an open circuit. If any special mode exceeding the absolute maximum ratings is assumed, consideration should be given to take physical safety measures including the use of fuses, etc.

(2) Power supply and GND line

Design PCB pattern to provide low impedance for the wiring between the power supply and the GND lines. Pay attention to the interference by common impedance of layout pattern when there are plural power supplies and GND lines. Especially, when there are GND pattern for small signal and GND pattern for large current included the external circuits, please separate each GND pattern. Furthermore, for all power supply terminals to ICs, mount a capacitor between the power supply and the GND terminal. At the same time, in order to use a capacitor, thoroughly check to be sure the characteristics of the capacitor to be used present no problem including the occurrence of capacity dropout at a low temperature, thus determining the constant.

(3) GND voltage

Make setting of the potential of the GND terminal so that it will be maintained at the minimum in any operating state. Furthermore, check to be sure no terminals are at a potential lower than the GND voltage including an actual electric transient.

(4) Short circuit between terminals and erroneous mounting

In order to mount ICs on a set PCB, pay thorough attention to the direction and offset of the ICs. Erroneous mounting can break down the ICs. Furthermore, if a short circuit occurs due to foreign matters entering between terminals or between the terminal and the power supply or the GND terminal, the ICs can break down.

(5) Operation in strong electromagnetic field

Be noted that using ICs in the strong electromagnetic field can malfunction them.

(6) Input terminals

In terms of the construction of IC, parasitic elements are inevitably formed in relation to potential. The operation of the parasitic element can cause interference with circuit operation, thus resulting in a malfunction and then breakdown of the input terminal. Therefore, pay thorough attention not to handle the input terminals, such as to apply to the input terminals a voltage lower than the GND respectively, so that any parasitic element will operate. Furthermore, do not apply a voltage to the input terminals when no power supply voltage is applied to the IC. In addition, even if the power supply voltage is applied, apply to the input terminals a voltage lower than the power supply voltage or within the guaranteed value of electrical characteristics.

(7) External capacitor

In order to use a ceramic capacitor as the external capacitor, determine the constant with consideration given to a degradation in the nominal capacitance due to DC bias and changes in the capacitance due to temperature, etc.

(8) Thermal shutdown circuit (TSD)

When junction temperatures become 150°C (typ) or higher, the thermal shutdown circuit operates and turns a switch OFF. The thermal shutdown circuit, which is aimed at isolating the LSI from thermal runaway as much as possible, is not aimed at the protection or guarantee of the LSI. Therefore, do not continuously use the LSI with this circuit operating or use the LSI assuming its operation.

(9) Thermal design

Perform thermal design in which there are adequate margins by taking into account the permissible dissipation (Pd) in actual states of use.

(10) LDO

Use each output of LDO by the independence. Don't use under the condition that each output is short-circuited because it has the possibility that the operation becomes unstable.

(11) DC/DC converter

Select the low DCR inductors to decrease power loss for DC/DC converter.

Notes

- No technical content pages of this document may be reproduced in any form or transmitted by any means without prior permission of ROHM CO.,LTD.
- The contents described herein are subject to change without notice. The specifications for the product described in this document are for reference only. Upon actual use, therefore, please request that specifications to be separately delivered.
- Application circuit diagrams and circuit constants contained herein are shown as examples of standard use and operation. Please pay careful attention to the peripheral conditions when designing circuits and deciding upon circuit constants in the set.
- Any data, including, but not limited to application circuit diagrams information, described herein are intended only as illustrations of such devices and not as the specifications for such devices. ROHM CO.,LTD. disclaims any warranty that any use of such devices shall be free from infringement of any third party's intellectual property rights or other proprietary rights, and further, assumes no liability of whatsoever nature in the event of any such infringement, or arising from or connected with or related to the use of such devices.
- Upon the sale of any such devices, other than for buyer's right to use such devices itself, resell or otherwise dispose of the same, no express or implied right or license to practice or commercially exploit any intellectual property rights or other proprietary rights owned or controlled by
- ROHM CO., LTD. is granted to any such buyer.
- Products listed in this document are no antiradiation design.

The products listed in this document are designed to be used with ordinary electronic equipment or devices (such as audio visual equipment, office-automation equipment, communications devices, electrical appliances and electronic toys).

Should you intend to use these products with equipment or devices which require an extremely high level of reliability and the malfunction of which would directly endanger human life (such as medical instruments, transportation equipment, aerospace machinery, nuclear-reactor controllers, fuel controllers and other safety devices), please be sure to consult with our sales representative in advance.

About Export Control Order in Japan

Products described herein are the objects of controlled goods in Annex 1 (Item 16) of Export Trade Control Order in Japan.

In case of export from Japan, please confirm if it applies to "objective" criteria or an "informed" (by MITI clause) on the basis of "catch all controls for Non-Proliferation of Weapons of Mass Destruction.

Thank you for your accessing to ROHM product informations.
More detail product informations and catalogs are available,
please contact your nearest sales office.

Please contact our sales offices for details ;

U.S.A / San Diego	TEL : +1(858)625-3630	FAX : +1(858)625-3670
Atlanta	TEL : +1(770)754-5972	FAX : +1(770)754-0691
Dallas	TEL : +1(972)312-8818	FAX : +1(972)312-0330
Germany / Dusseldorf	TEL : +49(2154)9210	FAX : +49(2154)921400
United Kingdom / London	TEL : +44(1)908-282-666	FAX : +44(1)908-282-528
France / Paris	TEL : +33(0)1 56 97 30 60	FAX : +33(0) 1 56 97 30 80
China / Hong Kong	TEL : +852(2)740-6262	FAX : +852(2)375-8971
Shanghai	TEL : +86(21)6279-2727	FAX : +86(21)6247-2066
Dilian	TEL : +86(411)8230-8549	FAX : +86(411)8230-8537
Beijing	TEL : +86(10)8525-2483	FAX : +86(10)8525-2489
Taiwan / Taipei	TEL : +866(2)2500-6956	FAX : +866(2)2503-2869
Korea / Seoul	TEL : +82(2)8182-700	FAX : +82(2)8182-715
Singapore	TEL : +65-6332-2322	FAX : +65-6332-5662
Malaysia / Kuala Lumpur	TEL : +60(3)7958-8355	FAX : +60(3)7958-8377
Philippines / Manila	TEL : +63(2)807-6872	FAX : +63(2)809-1422
Thailand / Bangkok	TEL : +66(2)254-4890	FAX : +66(2)256-6334

Japan /
(Internal Sales)

Tokyo	2-1-1, Yaesu, Chuo-ku, Tokyo 104-0082	TEL : +81(3)5203-0321	FAX : +81(3)5203-0300
Yokohama	2-4-8, Shin Yokohama, Kohoku-ku, Yokohama, Kanagawa 222-8575	TEL : +81(45)476-2131	FAX : +81(45)476-2128
Nagoya	Dainagayo Building 9F 3-28-12, Meieki, Nakamura-ku, Nagoya, Aichi 450-0002	TEL : +81(52)581-8521	FAX : +81(52)561-2173
Kyoto	579-32 Higashi Shiokouji-cho, Karasuma Nishi-iru, Shiokoujidori, Shimogyo-ku, Kyoto 600-8216	TEL : +81(75)311-2121	FAX : +81(75)314-6559

(Contact address for overseas customers in Japan)

Yokohama	TEL : +81(45)476-9270	FAX : +81(045)476-9271
----------	-----------------------	------------------------